

PhiCap PFC Capacitors

Resin (Polyurethane) impregnated ■ Stacked winding ■ Dual safety system

General

PhiCaps are a tried and tested series of MKP (metalized polypropylene) capacitors from EPCOS which have been used for PFC applications for more than 15 years.

The power range varies from 0.5 to 30.0 kvar and 0.7 to 6.0 kvar per single capacitor can, depending on a three-phase or single-phase capacitor design. The PhiCap capacitor is especially intended for power factor correction in industrial and semi-industrial applications. The capacitors are manufactured using metalized polypropylene film as the dielectric and housed in a cylindrical aluminum case.

Applications

- Power factor correction (PFC)
- Automatic capacitor banks
- Fixed PFC applications, e.g. motor compensation
- Detuned PFC systems

Features

Electrical

- Up to 30 kvar per case for three-phase applications
- Up to 6 kvar per case for single-phase applications
- Long life expectancy of up to 100 000 hours
- High pulse current withstand capability (up to $200 \cdot I_R$)

Mechanical and maintenance

- Reduced mounting costs, easy installation and connection
- Low weight and compact volume
- Maintenance-free

Safety

- Self-healing
- Overpressure disconnecter
- Touch-proof terminal



The PhiCap is a self-healing, metalized polypropylene film capacitor. The current-carrying AlZn metal layer is vapor-deposited onto one side of the film.

Compact design – low weight and small volume

The entire three-phase capacitor is composed of three single-phase element stacks. The electrodes are connected by metal spraying the face ends of the winding elements. The winding elements are encapsulated in a cylindrical aluminum case and hermetically sealed either by a press-rolled metal lid or plastic disk with fast-on terminals.

Dual safety system

- Self-healing: the capacitor repairs itself after overload (to IEC 60831). Self-healing capability prevents permanent dielectric breakdown in case of sporadic voltage surges, overcurrent or overtemperature (to IEC 60831).
- Overpressure disconnecter: refer to page 9.

Connection technology

- SIGUT block-type terminal for B32344 series: IP20, innovative clamping system.
- Fast-on terminals for B32340 and B32343 series.
- Discharge resistors are included in shipment.

PhiCap capacitor selection

To specify and select capacitors for PFC, several factors affecting the performance and the expected useful life of the capacitors must be considered.

- Voltage
- Harmonics
- Temperature
- Total RMS current
- Inrush current/switching operations

Permanent overvoltage shortens the useful life of a capacitor. The capacitor's rated voltage must be equal or higher than the operating voltage of the circuit to which it is connected.

Harmonics produce overvoltage and overcurrent on the capacitors themselves. If the total harmonics distortion level for voltage (THD-V) e.g. exceeds 5%, serious damage to the installation may be caused by the resonance of the circuit.

In such cases usage of series reactors (detuning) is recommended.

Operation of the capacitors above the upper category temperature level will accelerate degradation of the dielectric and shorten the capacitor's useful life.

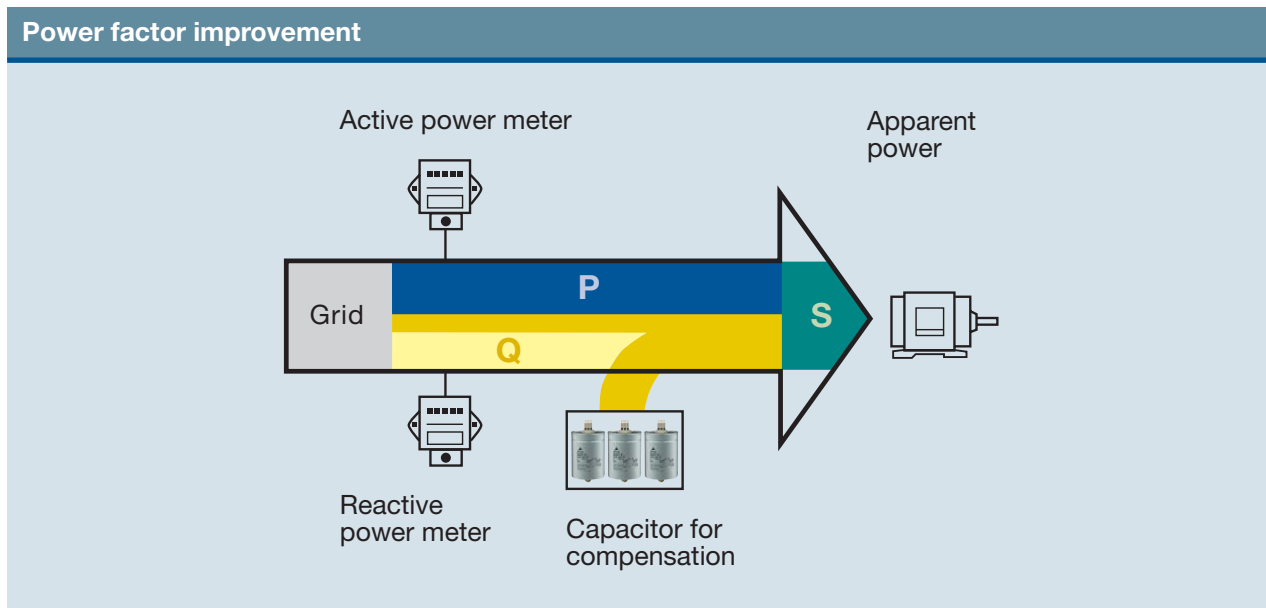
By keeping min. 20 mm spacing and PhiCap capacitors mounted in upright position, better thermal conditions will ensure best performance and a longer useful life.

Residual voltage should not exceed 10% of rated voltage for re-switching capacitors. During the charging period of the capacitors the current is very high – if they are connected in automatic capacitor banks, it is very likely that discharged capacitors are connected to charged ones already connected to the grid. In such cases the maximum permissible current peak reaches values up to $150 \cdot I_R$.

During the switching process thermal and electrodynamic stresses are developed caused by transient overcurrents of high amplitude and frequency and may damage the system. Capacitor contactors with inrush current limiting resistors or series-inductance (e.g. detuned harmonic filter) will avoid excessive transient currents.

PhiCap PFC Capacitors

Resin (Polyurethane) impregnated ■ Stacked winding ■ Dual safety system



Life expectancy of up to 100 000 operating hours

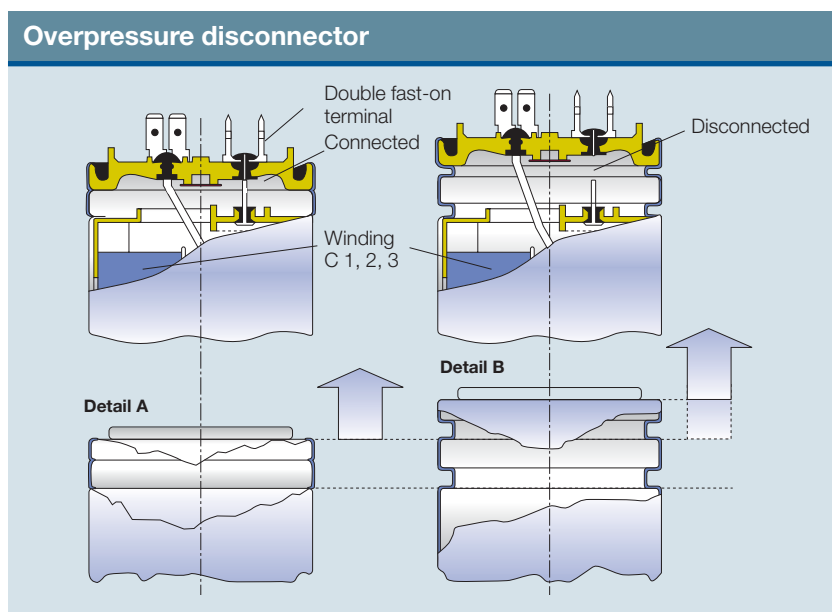
After a long drying phase to eliminate moisture from the active element, the capacitor is impregnated. The case is filled with biodegradable soft resin.

This production process helps to avoid oxidation and partial discharges (corona effect), promoting capacitance stability over a long period, an essential in detuned PFC.

High inrush current withstand capability is crucial

Capacitors used for power factor correction undergo a lot of switching operations. The high inrush currents that go along with this must be handled without degrading useful life. The pulse strength of this technology comes in particular from the enlarged, sensitive contact area (improved metal spraying).

PhiCap capacitors can handle inrush currents of up to 200 times rated current (max. 5 000 switching operations p.a. according to IEC 60831 standard).



PhiCap PFC Capacitors

Resin (Polyurethane) impregnated ■ Stacked winding ■ Dual safety system

Technical data and limit values

Standards IEC 60831-1+2, IS: 13340/41

Overvoltage	V_{\max}	$V_R + 10\%$ (up to 8 h daily) / $V_R + 15\%$ (up to 30 min daily) / $V_R + 20\%$ (up to 5 min daily) / $V_R + 30\%$ (up to 1 min daily)
Overcurrent	I_{\max}	up to $1.3 \cdot I_R$ (up to $1.5 \cdot I_R$ including combined effects of harmonics, overvoltages and capacitance)
Inrush current	I_S	up to $200 \cdot I_R$
Losses: – Dielectric – Total*		< 0.2 W/kvar < 0.45 W/kvar
Rated frequency	f	50/60 Hz
Capacitance tolerance		–5% /10%
Test voltage, terminal/ terminal	V_{TT}	$2.15 \cdot V_R$, AC, 2 s
Test voltage, terminal/ case	V_{TC}	3000 VAC, 10 s
Mean life expectancy	$t_{LD(Co)}$	up to 100 000 h
Ambient temperature		–25/D; max. temp. 55 °C; max. mean 24 h = 45 °C; max. mean 1 year = 35 °C; lowest temperature = –25 °C
Cooling		natural or forced
Humidity	H_{rel}	max. 95%
Altitude		max. 4000 m above sea level
Mounting position		upright
Mounting and grounding		threaded M12 (10 Nm) for case size diam. > 53 mm M8 (4 Nm) for case size diam. ≤ 53 mm
Safety		Self-healing technology, overpressure disconnecter, maximum allowed fault current 10000 A in accordance with UL 810 standard
Discharge resistors		discharge module included
Case		extruded aluminum can
Enclosure		IP20, indoor mounting (optional IP54)
Dielectric		polypropylene film
Impregnation		biodegradable soft resin
Terminals		SIGUT screw terminals for B32344 series, max. current 60 A, max. 16 mm ² cable cross-section, fast-on terminals for B32340 and B32343 series
Number of switching operations		max. 5000 switchings per year according to IEC 60831-1+2

* Without discharge resistor



PhiCap

PhiCap PFC Capacitors

Resin (Polyurethane) impregnated ■ Stacked winding ■ Dual safety system

Three-phase capacitors									
Type	50 Hz		60 Hz		C _R μF	d x h mm	Weight kg	Ordering code	Packing unit ¹⁾
	Output kvar	I _R A	Output kvar	I _R A					
Rated voltage 230 VAC, 50/60 Hz, delta connection									
MKP230-D-0.5	0.5	1.3	0.6	1.6	3 · 10	53 x 114	0.3	B32343C2002A530	12
MKP230-D-0.7	0.7	1.9	0.9	2.3	3 · 15	53 x 114	0.3	B32343C2002A730	12
MKP230-D-1.0	1.0	2.5	1.2	3.0	3 · 20	63.5 x 129	0.3	B32343C2012A030	12
MKP230-D-1.5	1.5	3.8	1.8	4.6	3 · 30	63.5 x 129	0.4	B32343C2012A530	12
MKP230-D-2.0	2.0	5.0	2.5	6.0	3 · 42	79.5 x 138	0.4	B32344D2022A030	6
MKP230-D-2.5	2.5	6.3	3.0	7.5	3 · 50	79.5 x 138	0.4	B32344D2022A530	6
MKP230-D-5.0	5.0	12.6	6.0	15.1	3 · 100	79.5 x 198	0.6	B32344D2052A030	6
MKP230-D-7.5	7.5	18.8	9.0	22.6	3 · 150	89.5 x 198	0.8	B32344D2072A530	4
MKP230-D-10.0	10.0	25.1	12.0	30.2	3 · 200	89.5 x 273	1.2	B32344D2102A030	4
MKP230-D-12.5	12.5	31.4	15.0	37.7	3 · 250	89.5 x 348	1.5	B32344D2122A530	4
MKP230-D-15.0	15.0	37.7	–	–	3 · 300	89.5 x 348	1.5	B32344D2152A030	4
Rated voltage 400 VAC, 50/60 Hz, delta connection									
MKP400-D-1.0	1.0	1.4	1.2	1.7	3 · 7	53 x 114	0.3	B32343C4012A000	12
MKP400-D-1.5	1.5	2.2	1.8	2.6	3 · 10	53 x 114	0.3	B32343C4012A500	12
MKP400-D-2.0	2.0	2.9	2.4	3.5	3 · 13	63.5 x 129	0.4	B32343C4022A000	12
MKP400-D-2.5	2.5	3.6	3.0	4.3	3 · 17	63.5 x 129	0.4	B32343C4022A500	12
MKP400-D-5.0	5.0	7.2	6.0	8.6	3 · 33	63.5 x 129	0.4	B32343C4052A000	12
MKP400-D-6.3	6.3	9.1	7.5	11.0	3 · 42	79.5 x 160	0.5	B32344D4071A500	6
MKP400-D-7.5	7.5	10.8	9.0	13.0	3 · 50	79.5 x 160	0.5	B32344D4072A500	6
MKP400-D-8.3	8.3	12.0	10.0	14.5	3 · 55	79.5 x 160	0.5	B32344D4101A000	6
MKP400-D-10.0	10.0	14.5	12.0	17.3	3 · 67	79.5 x 198	0.6	B32344D4102A000	6
MKP400-D-12.5	12.5	18.1	15.0	21.7	3 · 83	89.5 x 198	0.8	B32344D4122A500	4
MKP400-D-15.0	15.0	21.7	18.0	26.0	3 · 100	89.5 x 198	0.8	B32344D4152A000	4
MKP400-D-16.7	16.7	24.1	20.0	28.9	3 · 111	89.5 x 198	0.8	B32344D4201A000	4
MKP400-D-20.0	20.0	28.9	24.0	34.7	3 · 133	89.5 x 273	1.1	B32344D4202A000	4
MKP400-D-25.0	25.0	36.1	–	–	3 · 166	89.5 x 273	1.5	B32344D4252A000	4
Rated voltage 415 VAC, 50/60 Hz, delta connection									
MKP415-D-1.0	1.0	1.4	1.2	1.6	3 · 6	53 x 114	0.3	B32343C4012A010	12
MKP415-D-1.5	1.5	2.1	1.8	2.4	3 · 9	53 x 114	0.3	B32343C4012A510	12
MKP415-D-2.0	2.0	2.8	2.4	3.4	3 · 12	53 x 114	0.4	B32343C4022A010	12
MKP415-D-2.5	2.5	3.5	3.0	4.2	3 · 15	63.5 x 129	0.4	B32343C4022A510	12
MKP415-D-5.0	5.0	7.0	6.0	8.4	3 · 31	63.5 x 154	0.4	B32343C4052A010	12
MKP415-D-6.3	6.3	8.8	7.5	10.6	3 · 39	79.5 x 160	0.5	B32344D4071A510	6
MKP415-D-7.5	7.5	10.4	9.0	12.5	3 · 46	79.5 x 198	0.6	B32344D4072A510	6
MKP415-D-10.0	10.0	13.9	12.0	16.7	3 · 62	79.5 x 198	0.6	B32344D4102A010	6
MKP415-D-12.5	12.5	17.4	15.0	20.9	3 · 77	89.5 x 198	0.8	B32344D4122A510	4
MKP415-D-15.0	15.0	20.9	18.0	25.1	3 · 92	89.5 x 273	1.2	B32344D4152A010	4
MKP415-D-20.0	20.0	27.9	24.0	33.4	3 · 123	89.5 x 273	1.2	B32344D4202A010	4
MKP415-D-25.0	25.0	34.8	–	–	3 · 154	89.5 x 348	1.5	B32344D4252A010	4
Rated voltage 440 VAC, 50/60 Hz, delta connection									
MKP440-D-0.9	0.9	1.2	1.0	1.3	3 · 5	53 x 114	0.3	B32343C4011A040	12
MKP440-D-1.0	1.0	1.3	1.2	1.6	3 · 6	53 x 114	0.3	B32343C4012A040	12
MKP440-D-1.2	1.2	1.6	1.5	2.0	3 · 7	53 x 114	0.3	B32343C4011A540	12

Customized products available upon request. Minimum order quantity 200 pieces.

¹⁾ Packing units for capacitors equal minimum order quantity.
Orders will be rounded up to packing unit or multiple thereof.



PhiCap PFC Capacitors

Resin (Polyurethane) impregnated ■ Stacked winding ■ Dual safety system

Three-phase capacitors

Type	50 Hz		60 Hz		C _R μF	d x h mm	Weight kg	Ordering code	Packing unit ¹⁾
	Output kvar	I _R A	Output kvar	I _R A					
Rated voltage 440 VAC, 50/60 Hz, delta connection									
MKP440-D-1.5	1.5	2.0	1.8	2.3	3 · 8	53 x 114	0.3	B32343C4012A540	12
MKP440-D-2.1	2.1	2.7	2.5	3.3	3 · 11	53 x 114	0.4	B32343C4021A540	12
MKP440-D-2.5	2.5	3.3	3.0	3.9	3 · 13	63.5 x 129	0.3	B32343C4022A540	12
MKP440-D-4.2	4.2	5.5	5.0	6.6	3 · 23	63.5 x 129	0.4	B32343C4051A040	12
MKP440-D-5.0	5.0	6.5	6.0	7.8	3 · 27	63.5 x 154	0.5	B32343C4052A040	12
MKP440-D-6.3	6.3	8.3	7.5	9.9	3 · 34	79.5 x 160	0.5	B32344D4071A540	6
MKP440-D-7.5	7.5	9.9	9.0	11.8	3 · 41	79.5 x 160	0.5	B32344D4072A540	6
MKP440-D-8.3	8.3	10.9	10.0	13.1	3 · 46	79.5 x 198	0.6	B32344D4101A040	6
MKP440-D-10.0	10.0	13.1	12.0	15.8	3 · 55	79.5 x 198	0.6	B32344D4102A040	6
MKP440-D-10.4	10.4	13.7	12.5	16.4	3 · 57	79.5 x 198	0.6	B32344D4121A540	6
MKP440-D-12.5	12.5	16.4	15.0	19.7	3 · 69	89.5 x 198	0.8	B32344D4151A040	4
MKP440-D-15.0	15.0	19.7	18.0	23.6	3 · 82	89.5 x 273	1.2	B32344D4152A040	4
MKP440-D-16.7	16.7	21.9	20.0	26.3	3 · 92	89.5 x 273	1.2	B32344D4201A040	4
MKP440-D-20.8	20.8	27.3	25.0	32.8	3 · 114	89.5 x 273	1.2	B32344D4251A040	4
MKP440-D-25.0	25.0	32.8	–	–	3 · 138	89.5 x 348	1.5	B32344D4252A040	4
MKP440-D-28.0	28.0	36.8	–	–	3 · 154	89.5 x 348	1.5	B32344D4282A040	4
Rated voltage 480 VAC, 50/60 Hz, delta connection									
MKP480-D-1.5	1.5	1.8	1.8	2.2	3 · 7	63.5 x 129	0.4	B32343C4012A580	12
MKP480-D-2.0	2.0	2.4	2.4	2.9	3 · 9	63.5 x 129	0.4	B32343C4022A080	12
MKP480-D-2.5	2.5	3.0	3.0	3.6	3 · 11	63.5 x 129	0.4	B32343C4022A580	12
MKP480-D-4.2	4.2	5.1	5.0	6.1	3 · 19	63.5 x 154	0.5	B32343C4051A080	6
MKP480-D-5.0	5.0	6.0	6.0	7.2	3 · 23	79.5 x 160	0.5	B32344D4052A080	6
MKP480-D-6.3	6.3	7.6	7.6	9.1	3 · 29	79.5 x 160	0.5	B32344D4071A580	6
MKP480-D-7.5	7.5	9.0	9.0	10.8	3 · 35	79.5 x 198	0.6	B32344D4072A580	6
MKP480-D-8.3	8.3	10.0	10.0	12.0	3 · 38	79.5 x 198	0.6	B32344D4101A080	6
MKP480-D-10.4	10.4	12.5	12.5	15.0	3 · 48	89.5 x 198	0.8	B32344D4121A580	4
MKP480-D-12.5	12.5	15.1	15.0	18.1	3 · 58	89.5 x 198	0.8	B32344D4151A080	4
MKP480-D-15.0	15.0	18.1	18.0	21.7	3 · 69	89.5 x 273	1.2	B32344D4152A080	4
MKP480-D-16.7	16.7	20.1	20.0	24.1	3 · 77	89.5 x 273	1.2	B32344D4162A780	4
MKP480-D-20.8	20.8	25.0	25.0	30.1	3 · 96	89.5 x 273	1.2	B32344D4202A080	4
MKP480-D-25.0	25.0	30.1	30.0	36.1	3 · 115	89.5 x 348	1.5	B32344D4252A080	4
MKP480-D-30.0	30.0	36.1	–	–	3 · 138	89.5 x 348	1.5	B32344D4302A080	4
Rated voltage 525 VAC, 50/60 Hz, delta connection									
MKP525-D-1.0	1.0	1.1	1.2	1.3	3 · 4	53 x 114	0.3	B32343C5012A020	12
MKP525-D-1.5	1.5	1.6	1.8	2.0	3 · 6	53 x 114	0.3	B32343C5012A520	12
MKP525-D-2.0	2.0	2.2	2.4	2.6	3 · 8	63.5 x 129	0.4	B32343C5022A020	12
MKP525-D-2.5	2.5	2.7	2.7	3.0	3 · 9	63.5 x 129	0.4	B32343C5022A520	12
MKP525-D-5.0	5.0	5.5	6.0	6.6	3 · 19	79.5 x 160	0.3	B32344D5061A020	6
MKP525-D-6.3	6.3	6.9	7.6	8.3	3 · 24	79.5 x 160	0.5	B32344D5071A520	6
MKP525-D-8.3	8.3	9.1	10.0	11.0	3 · 32	79.5 x 198	0.6	B32344D5101A020	6
MKP525-D-10.4	10.4	11.5	12.5	13.7	3 · 40	89.5 x 198	0.8	B32344D5121A520	4
MKP525-D-12.5	12.5	13.8	15.0	16.5	3 · 48	89.5 x 273	1.2	B32344D5151A020	4
MKP525-D-16.6	16.6	18.3	20.0	21.9	3 · 64	89.5 x 273	1.2	B32344D5201A020	4
MKP525-D-20.8	20.8	22.9	25.0	27.5	3 · 80	89.5 x 348	1.5	B32344D5202A020	4
MKP525-D-25.0	25.0	27.5	30.0	33.0	3 · 96	89.5 x 348	1.5	B32344D5252A020	4

Customized products available upon request. Minimum order quantity 200 pieces.

¹⁾ Packing units for capacitors equal minimum order quantity.
Orders will be rounded up to packing unit or multiple thereof.



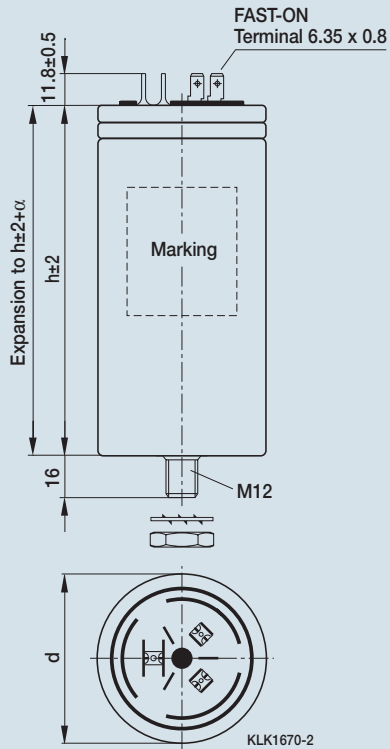
PhiCap

PhiCap PFC Capacitors

Resin (Polyurethane) impregnated ■ Stacked winding ■ Dual safety system

Dimensional drawings: three-phase capacitors

Capacitor B32343 series

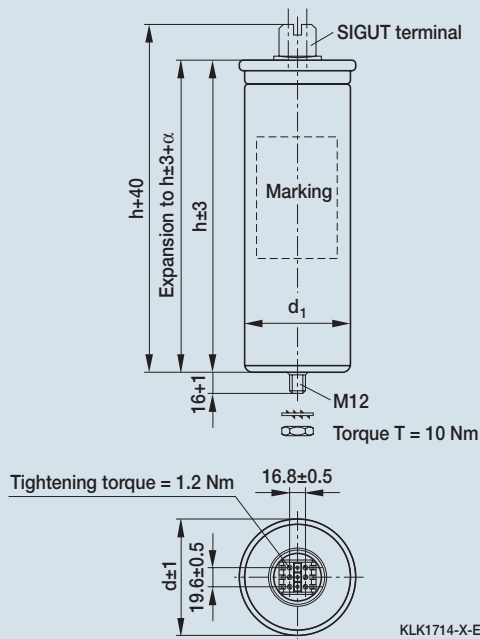


Creepage distance	10.5 mm (ø 53) 10.0 mm (ø 63.5)
Clearance	13.0 mm (ø 53) 16.5 mm (ø 63.5)
Diameter (ø)	53 mm 63.5 mm
Expansion α	max. 12 mm

Mounting

	M12 (ø 63.5 mm)	M8 (ø 53 mm)
Torque	T=10 Nm	T=4 Nm
Toothed washer	J12.5 DIN 6797	J8.0 DIN 6797
Hex nut	BM12 DIN 439	BM 8 DIN 439

Capacitor B32344 series



Creepage distance	9.6 mm
Clearance	12.7 mm
Diameter d (ø)	79.5 mm / 89.5 mm
Diameter d1 (ø)	75.0 mm / 85.0 mm
Expansion α	max. 13 mm

Mounting

	M12	M5
Torque	T=10 Nm	T=2.5 Nm
Toothed washer	J12.5 DIN 6797	
Hex nut	BM12 DIN 439	



PhiCap

PhiCap PFC Capacitors

Resin (Polyurethane) impregnated ■ Stacked winding ■ Dual safety system

Single-phase capacitors

Type	50 Hz		60 Hz		C _R μF	d x h mm	Weight kg	Ordering code	Packing unit ¹⁾
	Output kvar	I _R A	Output kvar	I _R A					
Rated voltage 230 VAC, 50/60 Hz									
MKP230-I-0.8	0.8	3.6	1.0	4.3	50	63.5 x 105	0.30	B32340C2002A830	12
MKP230-I-1.7	1.7	7.2	2.0	8.7	100	63.5 x 142	0.40	B32340C2012A730	12
MKP230-I-2.5	2.5	10.9	3.0	13.1	150	63.5 x 142	0.50	B32340C2022A530	12
Rated voltage 400 VAC, 50/60 Hz									
MKP400-I-0.8	0.8	2.0	1.0	2.3	15	63.5 x 68	0.30	B32340C3001A880	12
MKP400-I-1.7	1.7	4.2	2.0	5.0	33	63.5 x 68	0.30	B32340C4012A700	12
MKP400-I-2.5	2.5	6.3	3.0	7.5	50	63.5 x 105	0.40	B32340C4022A500	12
MKP400-I-3.3	3.3	8.4	4.0	10.0	66	63.5 x 105	0.40	B32340C4032A300	12
MKP400-I-4.2	4.2	10.4	5.0	12.5	83	63.5 x 142	0.40	B32340C4051A000	12
MKP400-I-5.0	5.0	12.4	6.0	15.0	99	63.5 x 142	0.50	B32340C4052A000	12
Rated voltage 415 VAC, 50/60 Hz									
MKP415-I-0.8	0.8	2.0	1.0	2.4	15	63.5 x 68	0.35	B32340C4082A310	12
MKP415-I-1.7	1.7	4.0	2.0	4.8	31	63.5 x 105	0.45	B32340C4012A710	12
MKP415-I-2.5	2.5	6.0	3.0	7.2	46	63.5 x 105	0.50	B32340C4022A510	12
MKP415-I-3.3	3.3	8.0	4.0	9.7	62	63.5 x 142	0.50	B32340C4032A310	12
MKP415-I-5.0	5.0	12.0	6.0	14.5	91	63.5 x 142	0.60	B32340C4052A010	12
Rated voltage 440 VAC, 50/60 Hz									
MKP440-I-0.7	0.7	1.6	0.8	1.9	11	63.5 x 68	0.30	B32340C4001A840	12
MKP440-I-1.4	1.4	3.2	1.7	3.8	23	63.5 x 68	0.30	B32340C4011A740	12
MKP440-I-2.1	2.1	4.7	2.5	5.7	34	63.5 x 105	0.40	B32340C4021A540	12
MKP440-I-2.8	2.8	6.4	3.3	7.6	46	63.5 x 105	0.40	B32340C4031A340	12
MKP440-I-3.3	3.3	7.6	4.0	9.1	55	63.5 x 142	0.50	B32340C4032A340	12
MKP440-I-4.2	4.2	9.5	5.0	11.4	68	63.5 x 142	0.50	B32340C4051A040	12
MKP440-I-5.0	5.0	11.4	6.0	13.6	82	63.5 x 142	0.60	B32340C4052A040	12
Rated voltage 480 VAC, 50/60 Hz									
MKP480-I-0.7	0.7	1.5	0.8	1.7	10	63.5 x 105	0.30	B32340C4001A880	12
MKP480-I-1.4	1.4	2.9	1.7	3.5	19	63.5 x 105	0.30	B32340C4011A780	12
MKP480-I-2.1	2.1	4.3	2.5	5.2	29	63.5 x 105	0.50	B32340C4021A580	12
MKP480-I-2.8	2.8	5.8	3.3	6.9	38	63.5 x 142	0.50	B32340C4031A380	12
Rated voltage 525 VAC, 50/60 Hz									
MKP525-I-1.4	1.4	2.6	1.7	3.1	15	63.5 x 105	0.30	B32340C5011A730	12
MKP525-I-2.8	2.8	5.2	3.3	6.2	31	63.5 x 142	0.50	B32340C5031A330	12
MKP525-I-3.3	3.3	6.3	4.0	7.6	38	63.5 x 142	0.60	B32340C5032A320	12
MKP525-I-4.2	4.2	8.0	5.0	9.5	48	63.5 x 142	0.70	B32340C5051A020	12

Customized products available upon request. Minimum order quantity 200 pieces.

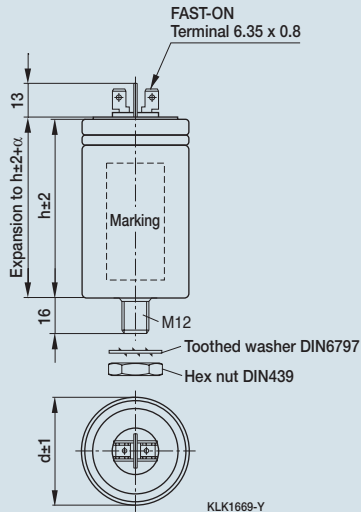
¹⁾ Packing units for capacitors equal minimum order quantity.
Orders will be rounded up to packing unit or multiple thereof.

PhiCap PFC Capacitors

Resin (Polyurethane) impregnated ■ Stacked winding ■ Dual safety system

Dimensional drawings: single-phase capacitors

Capacitor B32340 series

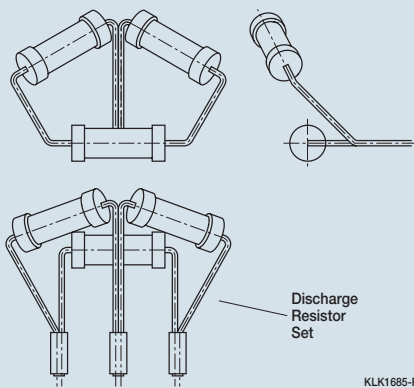


Creepage distance	10.0 mm
Clearance	16.5 mm
Diameter (ø)	63.5 mm
Expansion α	max. 12 mm

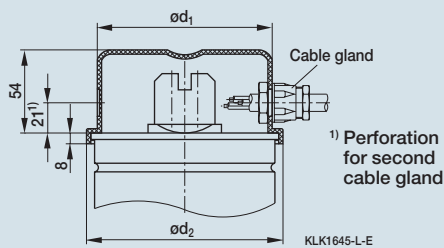
Mounting

M12	
Torque	T=10 Nm
Toothed washer	J12.5 DIN 6797
Hex nut	BM12 DIN 439

Discharge resistors for B32340- and B32343-types



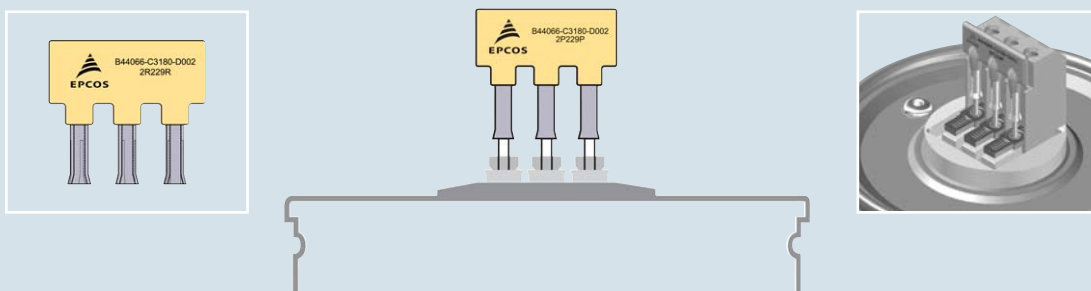
Protective cover for terminal



Ø in mm	Ordering code
53	B44066K0530A000*
63.5	B44066K0635A000*
79.5	B44066K0795A000
89.5	B44066K0895A000

* For B32340 and B32343 types (diameter 53 and 63.5 mm), terminal covers with cable entry on top

Discharge resistors pre-mounted for B32344D



PhiCap