

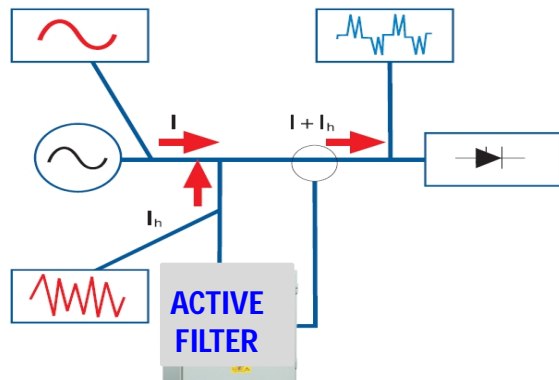
SASHTHA POWER SERVICES was incorporated with the Primary Objective of continuously focusing on Alternative source for Grid Power viz., Diesel Genset & its allied Panels, Power Quality Products / Solutions, Energy Conservation & Monitoring Products / Solutions etc.,

The company promoted by Qualified Experts having more than 18 years of experience in relevant fields, address customers' requirements with cost effective Solution by offering High Quality, custom built products and solutions of state-of-the-art technologies.

Complete HARMONIC Suppression



ACTIVE HARMONIC FILTER

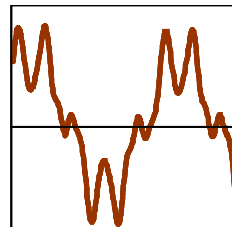


Partial HARMONIC Suppression & POWER FACTOR Correction

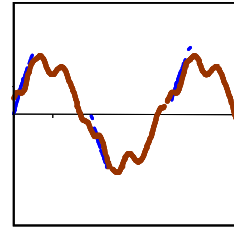


DE-TUNED HARMONIC FILTER SYSTEM

WITHOUT DE-TUNED FILTER



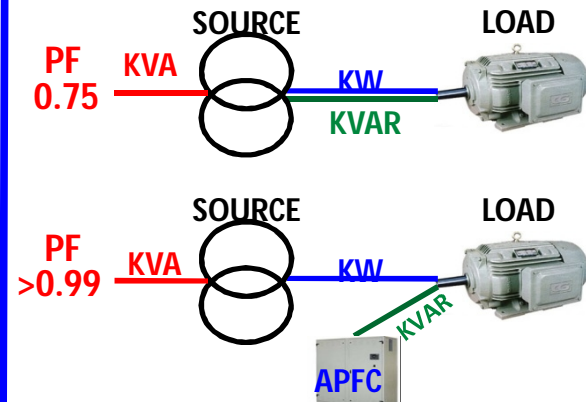
WITH DE-TUNED FILTER



POWER FACTOR CORRECTION



APF C SYSTEM



HARMONIC / PF STUDY



IMPLEMENTING SOLUTION



EVALUATING PERFORMANCE

